

JS-U120

Furniture Power Distribution Units

Manual

Beijing JS Technology Co., Ltd

2022-U120

Content

Content	2
Cautions	3
Safety Instructions	4
Introduction	5
Specification	5
Appearance Instructions	6
Installation	6
Packing list	8

Cautions



For you and device safety, please be sure to read “Safety Instructions” before using.



If you have any questions during using, please read manual first. The text has detailed description for the device use. If still have any questions, please contact us. We will give you a satisfactory reply as soon as possible.



This manual if has any version modification, it will not further notice, thanks for understanding.

Safety Instructions

- **Read manual.** Reading carefully and understand this manual before using.
- **Keep manual.** Keeping this manual for reference.
- **Warning:**
- **Power connection.** Please refer the manual to connect the power, this device uses grounding power, ground pins has protect function, do not casual destruction.
- **Closing power.** Please pull out the power cable that behind the device or pull out the power plug from outlet.
- **Cable protection.** Do not put the things on the cables in order to avoid squeeze and clamp; Do not walk on the cables; Please turn off the power before inserting or pulling out the cables.
- **Device servicing.** All servicing shall be accomplished by serviceman. Do not try to repair the device by yourself since opening the cover maybe let you suffer electric shock or at risk.
- **Power outages.** In order to ensure your safety, please turn off all power supply before moving the device or doing other work that needs to turn off the power.
- **Signal cable connection.** To avoid break down circuit, the device must be electric outage when insert and pull out the signal cable from the device. It's not included servicing scope that insert and pull out the cable with electric to cause the break device.
- **Device fixation.** To prevent the device drop down, reasonable fixed the device and make sure to place the device on a suitable and firm location.
- **Environment.** Keep dry, ventilated and keep unit away from humid, dust and heat!

- **Cautions :** To prevent electric shock causes hurt, unauthorized personnel shall not open the unit. Please contact professionals when prepare to install and repair.

- **Notice:**
 - This device produces radio wave, if do not install and use as manual, may affect the radio communication.
 - This device has been tested through the facility with shielding cable. This device must must be used with shielding cable.

Introduction

1.Description

- This recessed power strip is made of high grade aluminum-magnesium alloy, it can be mounted on furniture. provide people power source within reach. No more crawling under the desk to find power strips.Widely used in hotel/office/home etc.
- It can be easily installed into undertable/desktop/closet/cabinet/counter or anywhere you have an ideal on it.

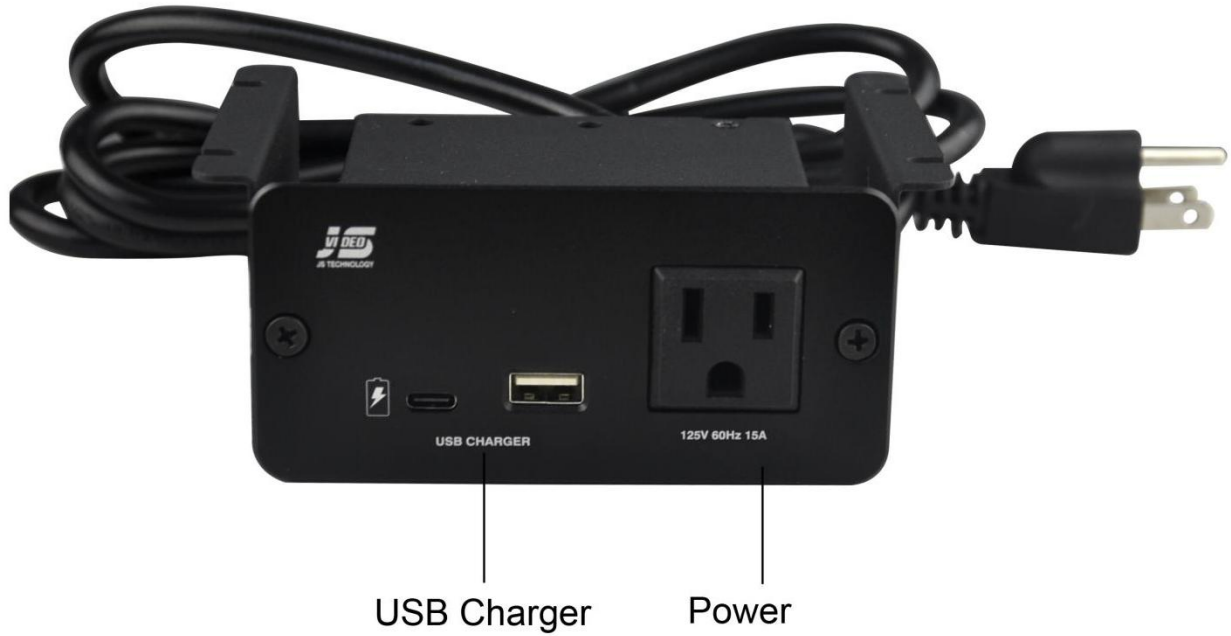
Specification

Model Number	JS-U120
Type	Furniture Socket
Material	Aluminum
Color	Black/Silver
Surface Treatment	Sandblasting
Cable	Terminal to terminal
Input	125V/60Hz
Rated Power	1500W (125V/12A)
USB Charger Input	100~240V 50/60Hz 1.5A Max
USB Charger Output	Type-C : 5V3A/9V3A/12V2.5A/15V2A/20V1.5A
	Type-A : 5V4A/9V3A/12V2.5A/20V1.5A
Temp.range	0 ~ 50° (No condensing)
Panel Size	4.41*2.17in / 112*55mm
Bottom box size (without U type frame)	3.35*1.7*2.8in / 85*43*71mm
Cutout Size (without U type frame)	3.46*1.81in / 88*46mm
Power cord	5.58ft / 1.7m
Net Weight	0.63kg
Warranty	1 year

Applications

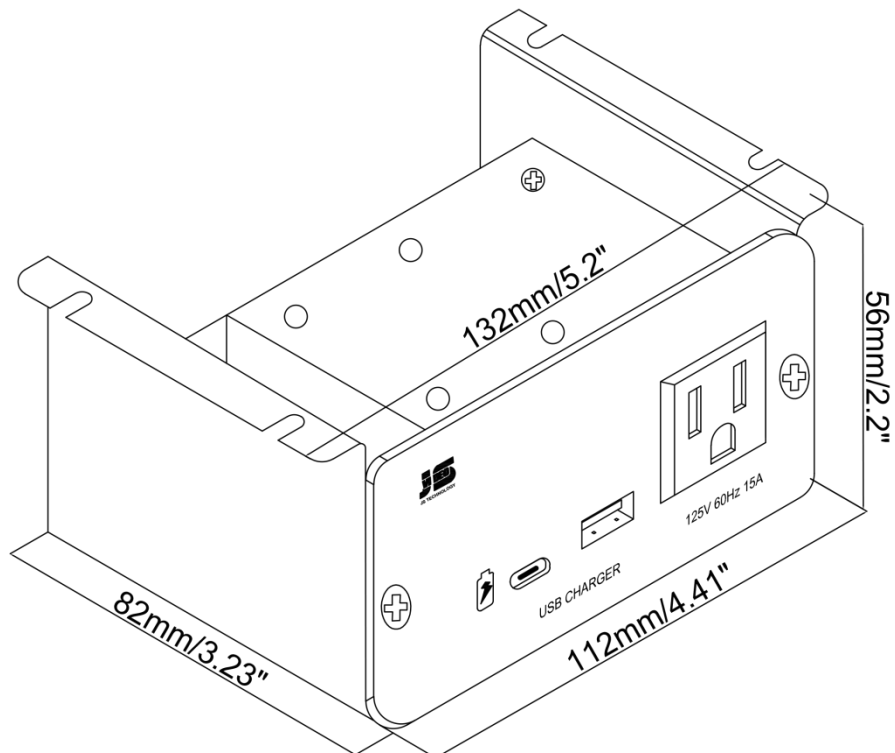
office/conference room/lecture hall/hotels/hospital

Appearance Instructions



Installation

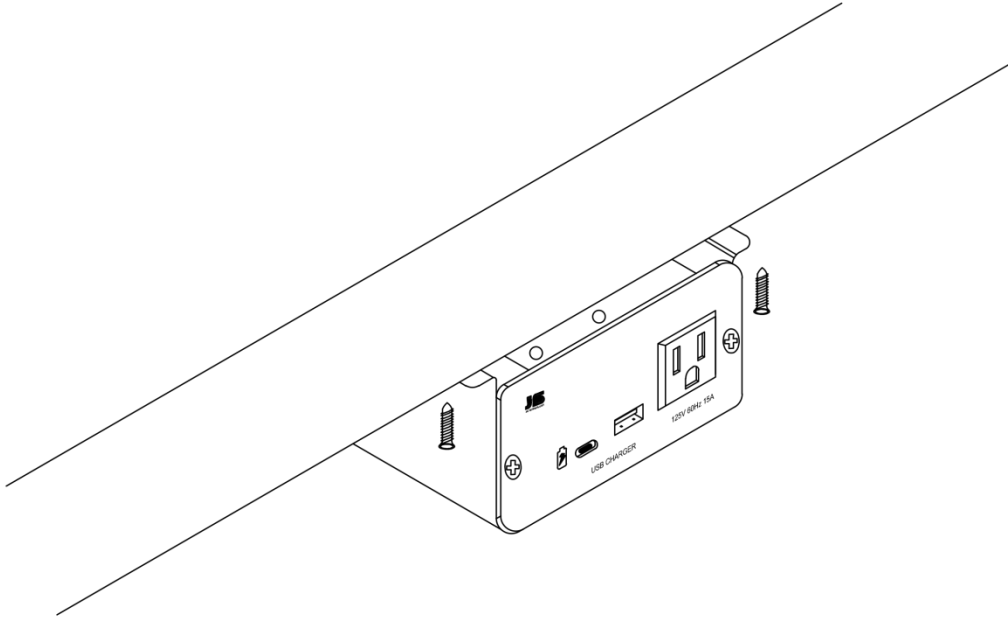
(1) Product size



(2) Product Installation

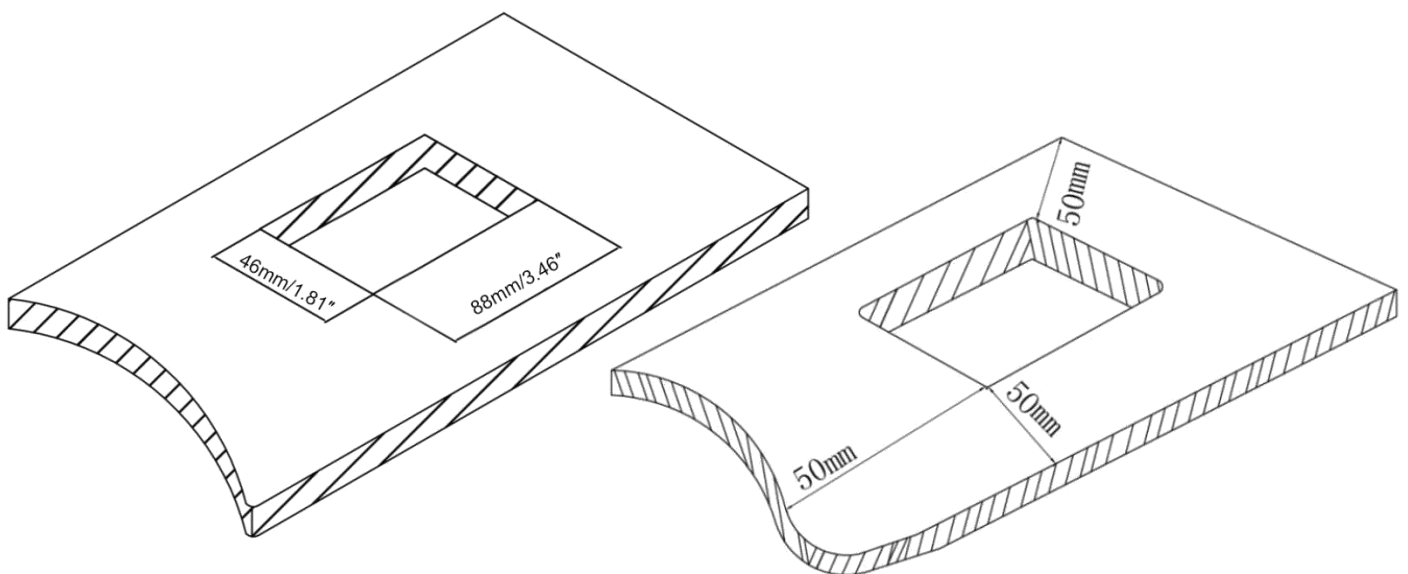
I Undertable type:

Mark the installation positions and then fixed unit by four screws is ok.



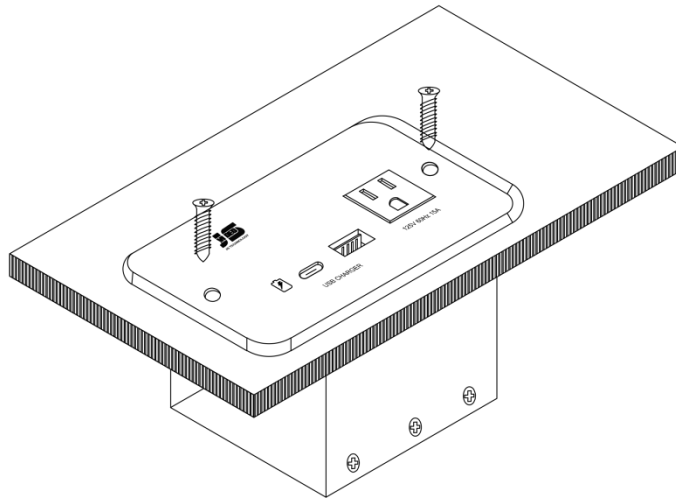
II Desktop type:

① Remove the U type frame. Cut a hole according to cutout template provided by manufacturer or the product itself(edge of the opening hole should be 5cm away from edge of the table).



Cut-out size

②Install the product and then use screws to lock the product (Screws are included).



③Connect power cord with power source.

④Finish!

Attention: This item for indoor use only.

Packing List

Name	Quantity
Table Socket	1
Screw	1
Use Manual	1



Tel: 400-890-1668

Email: exp@bjjinshi.com

www.bjjinshi.com

Beijing JS Technology Co., Ltd

B-405A, Building 7, No. 97 Changping Road, Changping District, 102206 Beijing, China