

JS-Z301HD

■ HDMI ■ EDID ■ 1080P ■ 4K



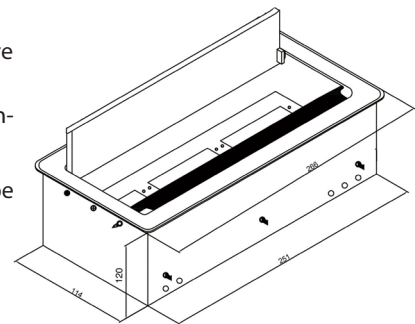
Overview

JS-Z301HD is a Tabletop Interconnect Box which supports HD conversion. It uses high performance and professional conversion chip to transform VGA+AUDIO and HDMI signals into HDMI signal output. It supports VGA resolutions from 640*480 to 1920*1080p or 1920*1200. User can switch signals through push-button on the panel.

JS-Z301HD Interconnect box with special designed Cover-lift which can protect connectors well. Open, raise the lid and the available cables/connectors will show.

Product Features

- Cover-lifting structure;
- Top surface available in sandblasting black or silver finishes, custom finishes are accepted;
- Supports VGA+AUDIO, HDMI signal inputs, HDMI signal output, includes the push-button with select and switch function;
- Adopts digital synchronous identification process technology, image output will be more stable;
- Complete SMD craft, special ESD protection technology;
- Supports signal timing reformed, shows 1920X1080P HD image perfectly;
- Supports Blu-ray embedded audio;
- Supports Key function.

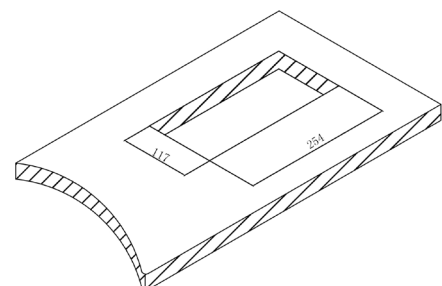


Overall Dimension(mm)

Main Specification

Model : JS-Z301HD
 Dimensions: Panel: 266mm*130mm
 Cutout Dimension:254mm*117mm

Signal input : VGA+AUDIO、HDMI
 VGA input formats : VESA1.1 specification
 Output format : HDMI1.4,support embedded audio ,1920*1080p resolution
 Audio input: Stereo audio
 Input signal noise reduction : Support deinterlacing, 2D and 3D DNR etc



Cutout Dimension(mm)

Digital signal input impedance: difference 100Ω

Digital signal input arc: 800mVp-p

Analog signal input impedance: 75Ω

Analog signal input arc: 0.75Vp-p

Signal delay: image delay (1 frame)

Signal output: 1 route HDMI (Type-A HDMI latch female connector)

HDMI output: HDMI 1.4 version supports embedded audio (when input source is HDMI, output is Hembed embedded audio; when input source is analog signal, audio input will be automatically selected as external audio)

Audio output: 3P Phoenix Type: Unbalance Stereo Analog



Open

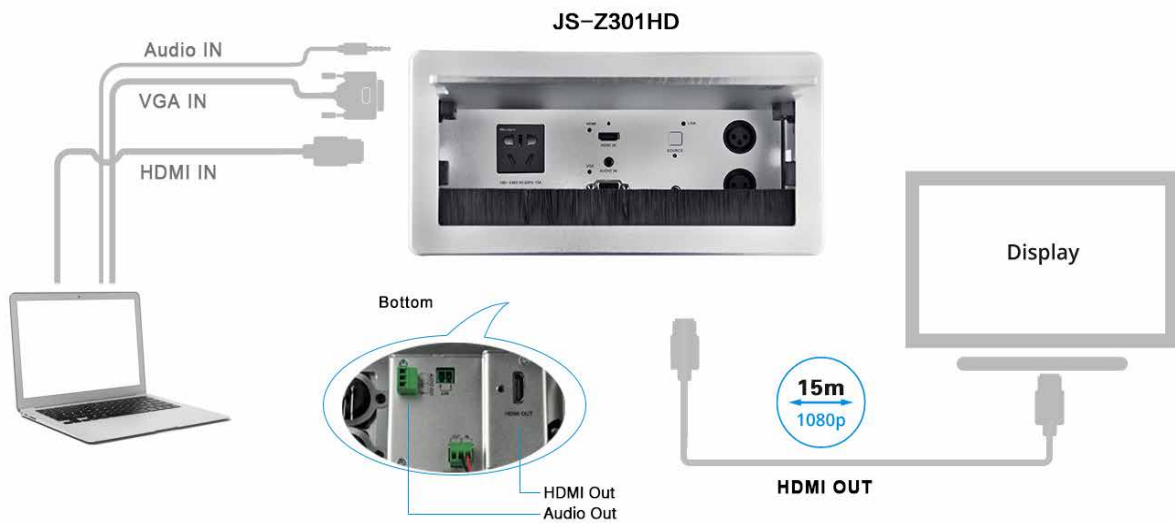


Closed



Overall

Connection diagram



CONNECTOR OPTIONS



AC OUTLET OPTIONS

