

## JS-Z300

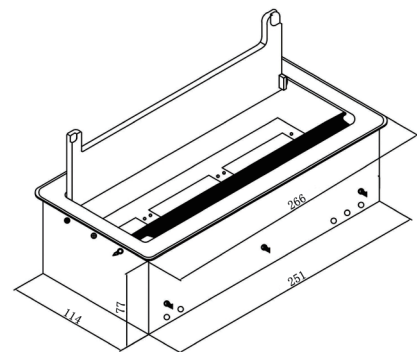


### Description

JS-Z300 Interconnect Box Integrates the box body and various interface to provide an orderly, simple and compact conference connection solution. The brush at the bottom can keep out dusts and contaminants. The damping mechanism ensures that the lid will close softly and safely.

### Product Features

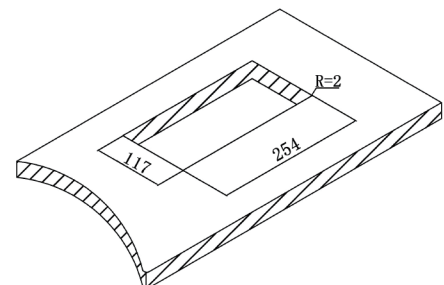
- With cover-lift;
- Can accommodate 12pcs 1U AAP insert plate(maximum);
- Can supply 1.7m cables;
- Top surface available in brushed black/silver finishes, custom finishes are accepted.



Overall Dimension ( mm )

### Main Specification

Model	JS Z300
Temp. range	0 ~ 50°C ( Non condensing)
Weight	About 1.5kg
Dimensions	Panel:266mm*130mm Cutout Dimension: 254mm*117mm Package: 285mm*149mm*92mm



Cutout Dimension ( mm )

### AC OUTLET OPTIONS

