

HDMI Active Interconnect Box

JS-601HD

- HDMI
- EDID
- 1080P
- 4K



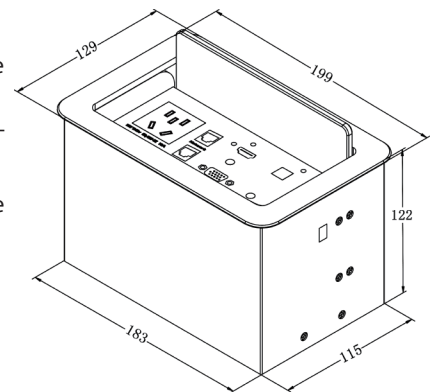
Overview

JS-601HD is a Tabletop Interconnect Box which supports HD conversion. It uses high performance and professional conversion chip to transform VGA+AUDIO and HDMI signals into HDMI signal output. It supports VGA resolutions from 640*480 to 1920*1080p or 1920*1200. User can switch signals through push-button on the panel.

JS-601HD Interconnect box with special designed Slid Lid which can protect connectors well. Open, raise the lid and push it into the slide rails, available cables/connectors will show.

Product Features

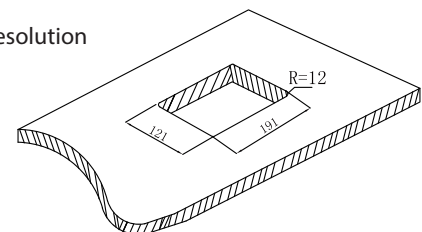
- Cover-lifting and falling (sliding lid) structure;
- Top surface available in sandblasting black or silver finishes, custom finishes are accepted;
- Supports VGA+AUDIO, HDMI signal inputs, HDMI signal output, includes the push-button with select and switch function;
- Adopts digital synchronous identification process technology, image output will be more stable;
- Complete SMD craft, special ESD protection technology;
- Supports signal timing reformed, shows 1920X1080P HD image perfectly;
- Supports Blu-ray embedded audio;
- Supports Key function.



Overall Dimension(mm)

Main Specification

Signal input :	VGA+AUDIO、HDMI
VGA input formats :	VESA1.1 specification
Output format :	HDMI1.4, support audio embedding ,1920*1080p resolution
Audio input:	Stereo audio
Input signal noise reduction :	Support deinterlacing, 2D and 3D DNR etc
Digital signal input impedance:	difference 100Ω
Digital signal input arc:	800mVp-p
Analog signal input impedance:	75Ω
Analog signal input arc:	0.75Vp-p
Signal delay:	image delay (1 frame)



Cutout Dimension(mm)

Signal output: 1 route HDMI (Type-A HDMI latch female connector)
 HDMI output: HDMI1.4, support audio embedding (when input source is HDMI, output HDMI Audio embedding; when input source is analog signal, audio input will be automatically selected as external audio)
 Audio output: 3P Phoenix Type: Unbalance Stereo Analog
 Dimensions: Panel:199mm*129mm R=16mm
 Cutout Dimension: 191mm*121mm R=12mm



Open

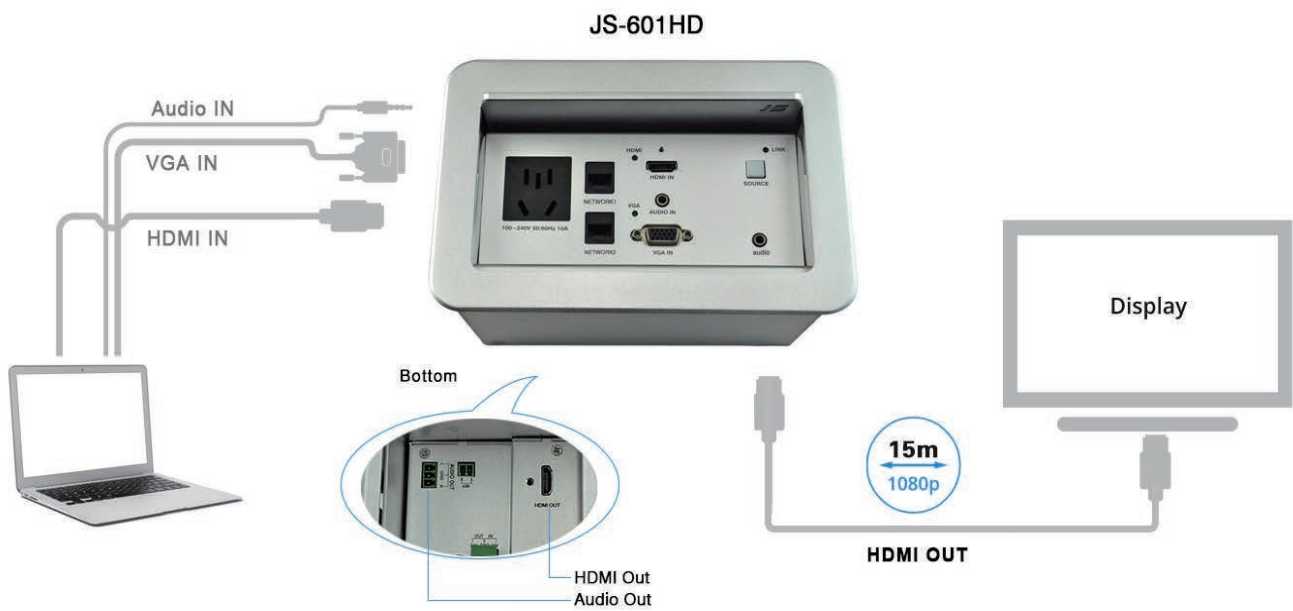


Bottom



Overall

Connection diagram



AC OUTLET OPTIONS

