

# 100m HDBaseT Transmit Interconnect Box

## JS-600HD

- HDBaseT™
- HDCP
- 4K
- 1080P/60Hz



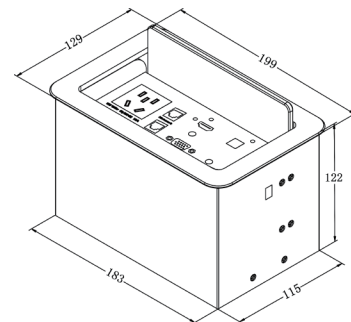
### Overview

JS-600HD is a Tabletop Interconnect Box which supports HD conversion and long distance transmission. It can transmit VGA, Audio or HDMI signals up to 100 meters over one CAT6 cable which is easy to instal. The special design of Slid Lid can protect connectors well. Open, raise the lid and push it into the slide rails, available connectors will show.

JS-600HD delivers uncompressed video & digital audio to a network of devices or to a single device (point to point). It supports resolutions up to 1920x1080P@60Hz and Blu-Ray Player and it is HDCP Compliant (Optional).

### Product Features

- Transmits HD video, audio and 1080p signals up to 100m over the twisted pair CAT6 cable(4K signal up to 70m);
- Supports 1920x1200 1080P@60Hz 4K 30Hz signal transmission, YCbCr 4:2:0;
- Input support: VGA+ Audio, HDMI signal;
- HDBaseT compliant;
- Supports HDMI 1.4 version; HDCP 2.0 version;
- Supports auto /manual signal switch two operations;
- Supports HDCP, EDID compliant and DDC function;
- Audio De-embedding function(3pin terminal output).

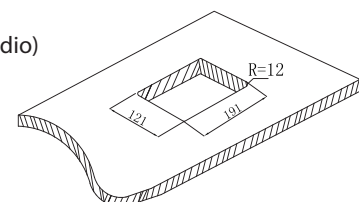


Overall Dimension( mm)

### Main Specification

**Video** Input: 1\* HDMI, 1\*15 pin VGA + Audio  
Input connector type: 1 x HDMI [Type A, 19-pin female], 1 xHD-15 VGA, 1x3.5mm Audio  
Output: 1xHDBaseT, 1xDe-embedding Audio  
Output connector type: RJ45/8(HDBaseT signal), 3P termianl(De-embedding Audio)  
Transmission protocol: HDBaseT compliant

**Audio** Frequency Response:20Hz-20KHz; CMRR: CMRR  
>75dB @ 20Hz-20KHz  
Input Impedance: >10KΩ  
Input Level(Max): +21 dBu  
SNR: >75dB @ 20Hz-20KHz  
Type: Stereo Analog, Unbalance



Cutout Dimension(mm)

**Environmental** Standard: HDMI 1.4 version HDCP 2.0 version  
 Transmission distance: 100m (1080P signal) 70m (4K@30Hz signal)  
 Bandwidth: 10.2Gbps  
 Power: 100 ~ 240V (build in 24V converter)  
 Power: ≤ 20W  
 Operating temperature: -10° C ~ +55° C  
 Humidity: 20% ~ 95%RH (Non-condensing)

**Dimensions** Panel: 199mm\*129mm R=16mm  
 Cutout Dimension: 191mm\*121mm R=12mm



Open

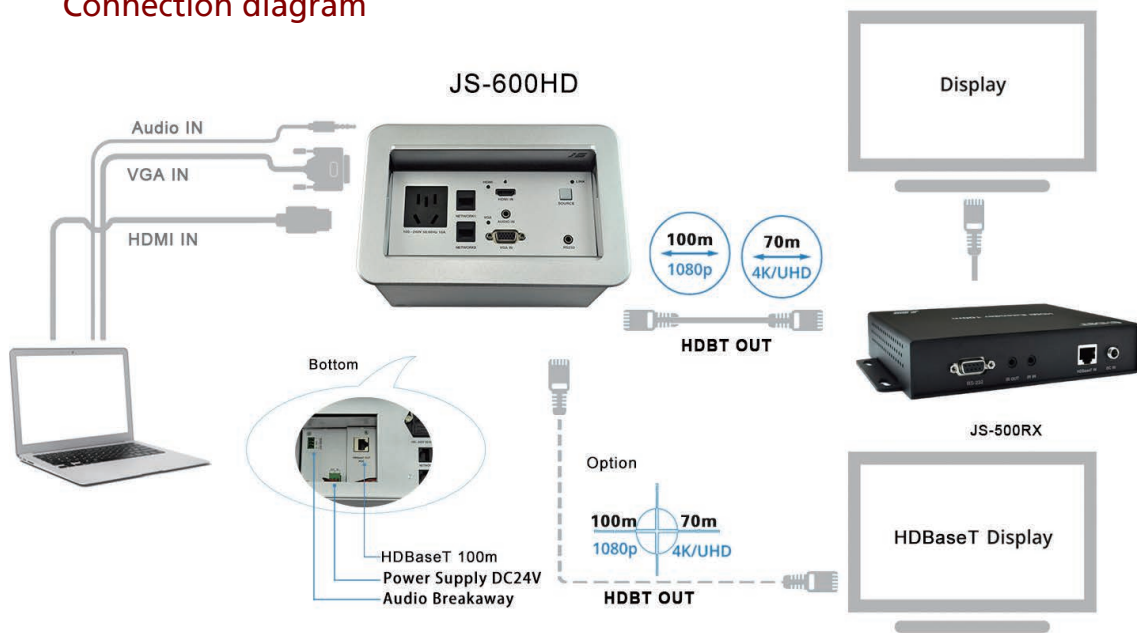


Bottom



Closed

**Connection diagram**



**AC OUTLET OPTIONS**

