

## JS-500TX



### Overview

JS-500TX is a HDBaseT Transmitter uses Cat6 Ethernet cable to transmit HDMI signal and extends the length of HDMI signal up to 100 meters. It not only transmits HD signals but also supports both HDCP and CEC. For digital signals which carry high definition images, this transmitter perfectly prolongs the transmission distance in a low-cost networking solution.

### Product Features

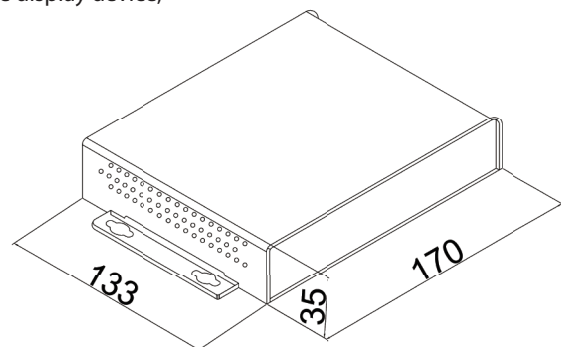
- Transmits HD video, audio and 1080p signals up to 100m over the twisted pair CAT6 cable(4K signal up to 70m);
- Supports 1920x1200 1080P@60Hz 4K 30Hz signal transmission, YCbCr 4:2:0;
- Input support: VGA+ Audio, HDMI signal;
- HDBaseT compliant;
- Supports HDMI 1.4 version; HDCP 2.0 version;
- Automatically get EDID (extended display identification data) of the display device;
- It can be used with JS-WP, JS-DC series receivers;
- With RS232 control capability;
- With IR Control.

### Main Specification

**Video** Input: 1\* HDMI, 1\*15 pin VGA + Audio  
 Input connector type: 1 x HDMI [Type A, 19-pin female],  
 1 xHD-15 VGA, 1x3.5mm Audio  
 Output: 1xHDBaseT, 1xDe-embedding Audio  
 Output connector type: RJ45/8(HDBaseT signal)  
 Transmission protocol: HDBaseT compliant

**Audio** Frequency Response:20Hz-20KHz; CMRR: CMRR  
 >75dB @ 20Hz-20KHz  
 Input Impedance: >10KΩ  
 Input Level(Max): +21 dBu  
 SNR: >75dB @ 20Hz-20KHz  
 Type: Stereo Analog, Unbalance

**Environmental** Standard: HDMI 1.4 version HDCP 2.0 version  
 Transmission distance: 100m (1080P signal) 70m (4K@30Hz signal)  
 Bandwidth: 10.2Gbps  
 Power: 100 ~ 240V (build in 24V converter)  
 Power: ≤ 20W  
 Operating temperature: -10° C ~ +55° C  
 Humidity: 20% ~ 95%RH (Non-condensing)



Overall Dimension( mm)