

JS-WP301 Series



Introduction

JS-WP 301 combine strong and weak electricity together to meet multiple demands, made of 4mm high grade aluminum-magnesium alloy, it can be mounted on wall or furniture.

Product Features

Model	JS-WP301
Temp. range	0 ~ 50°C (Non-condensing)
Dimensions	Panel: 258mm*86mm
	Box: 250mm*75mm*60mm
	Cutout Dimension: 254mm*79mm*65mm

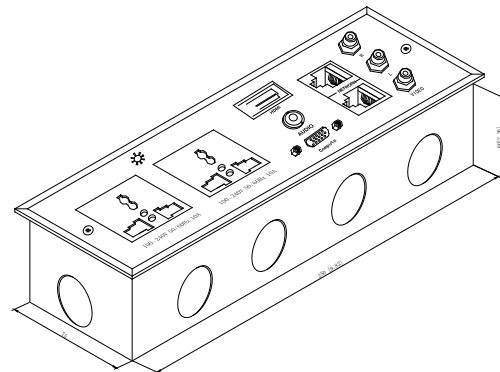
Main Specifications

- Combine strong and weak electricity together to meet multiple demands;
- 4mm aluminum-magnesium alloy with oxidation and brushed finish;
- Black and silver panel available;
- Gang box/Install box is available for wall installation;
- Various connections, can meet many demands.

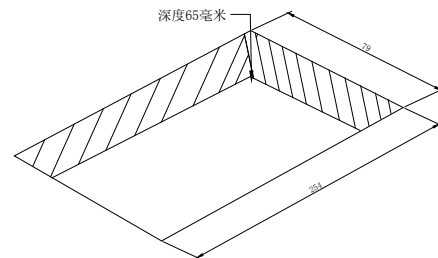
CCC Certificate Number: 2013010201596383

CE Certificate Number: N° VTUPV-269/2011ZAHR

ROHS Certificate Number: W02171017304C



Overall Dimension (mm)



Cutout Dimension (mm)

AC OUTLET OPTIONS



Universal

China

UK

2-Pin Europe

France

US

Australia

SA